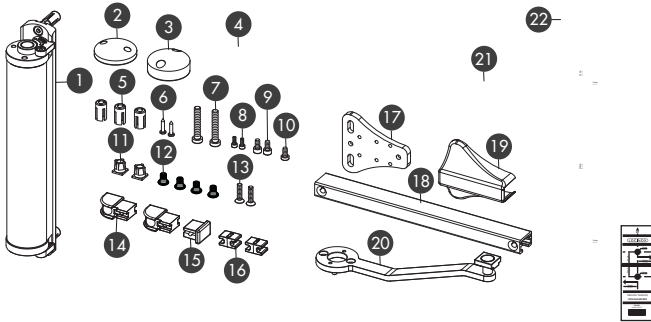


LOCINOX®

Let's make better fences together

LION

① Package content



② Mounting situation

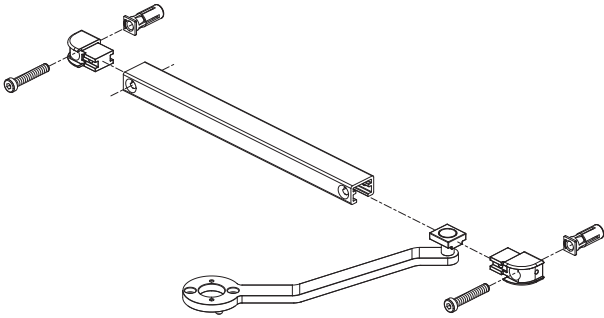
③ Drilling template

② Mounting situation

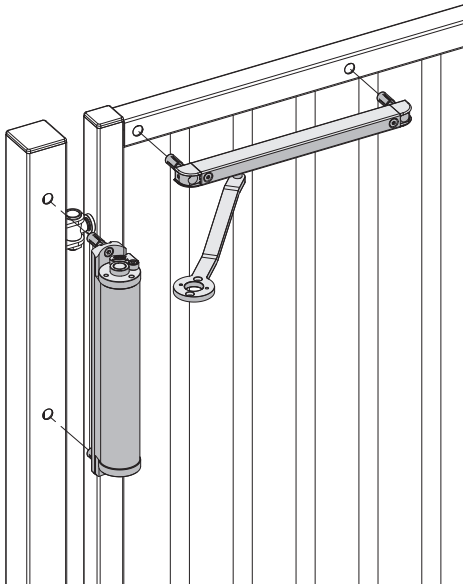
③ Drilling template

90°

④ Assembling Rail holder



⑥ Gate closer installation



180°

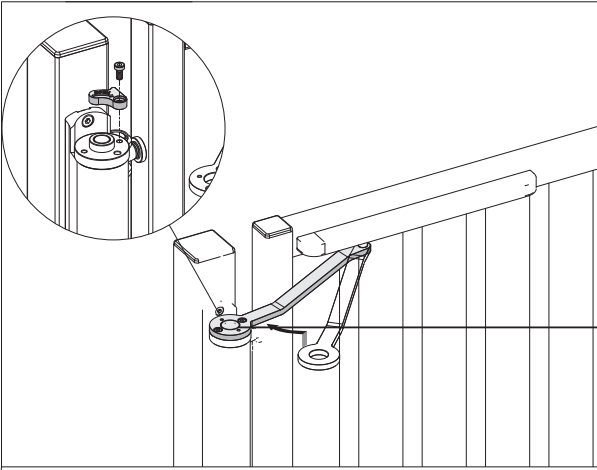
④ Assembling Rail holder



⑥ Gate closer installation

90°

⑦ Coupling

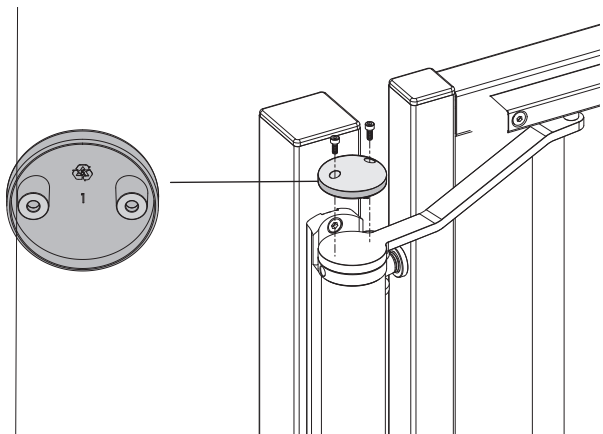


180°

⑦ Coupling

⑧ Pre-tension

⑩ Finishing installation



LOCINOX[®]
WWW.LOCINOX.COM

Doc. Nr.: MANU-000251



* M A N U - 0 0 0 2 5 1 *

Locinox nv • Mannebeekstraat 21 • B-8790 Waregem • Belgium
Tel. +32 (0)56 77 27 66 • Fax. +32 (0)56 77 69 26 • E-mail: locinox@locinox.com