

USER MANUAL TECHNICAL DATA

H x W x D									
120 x 76 x 26 mm	0,51 kg	12/24V AC/DC	80 mA	output relays = 2	30V DC - 2 A 125V AC - 1 A	input exit button = 2	1010 Relay 1 = 1000 Relay 2 = 10	55*	
U1000	125 KHz	3 operating modes : ● STAND ALONE PROXIMITY READER ● PROXIMITY READER or PIN CODE ● PROXIMITY READER + PIN CODE ! ATTENTION : <i>in this case, all users must have 1 PIN CODE and 1 PROXIMITY CARD</i>					0 - 99 s -10+60°C		

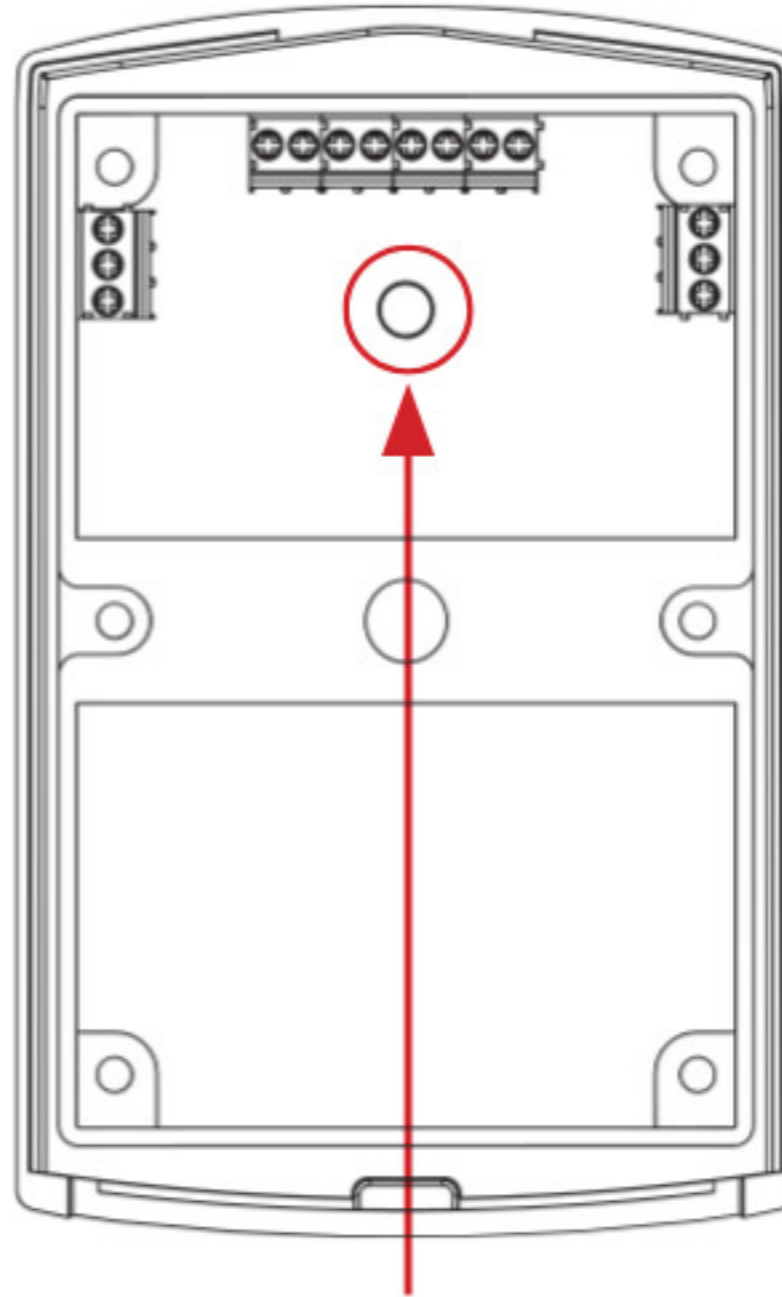
***IP 55 : Protection against dust, no damaging deposits. Protection against low pressure water jets from any direction**

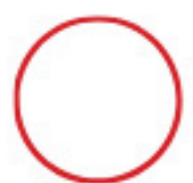
DIMENSIONS	MOUNTING

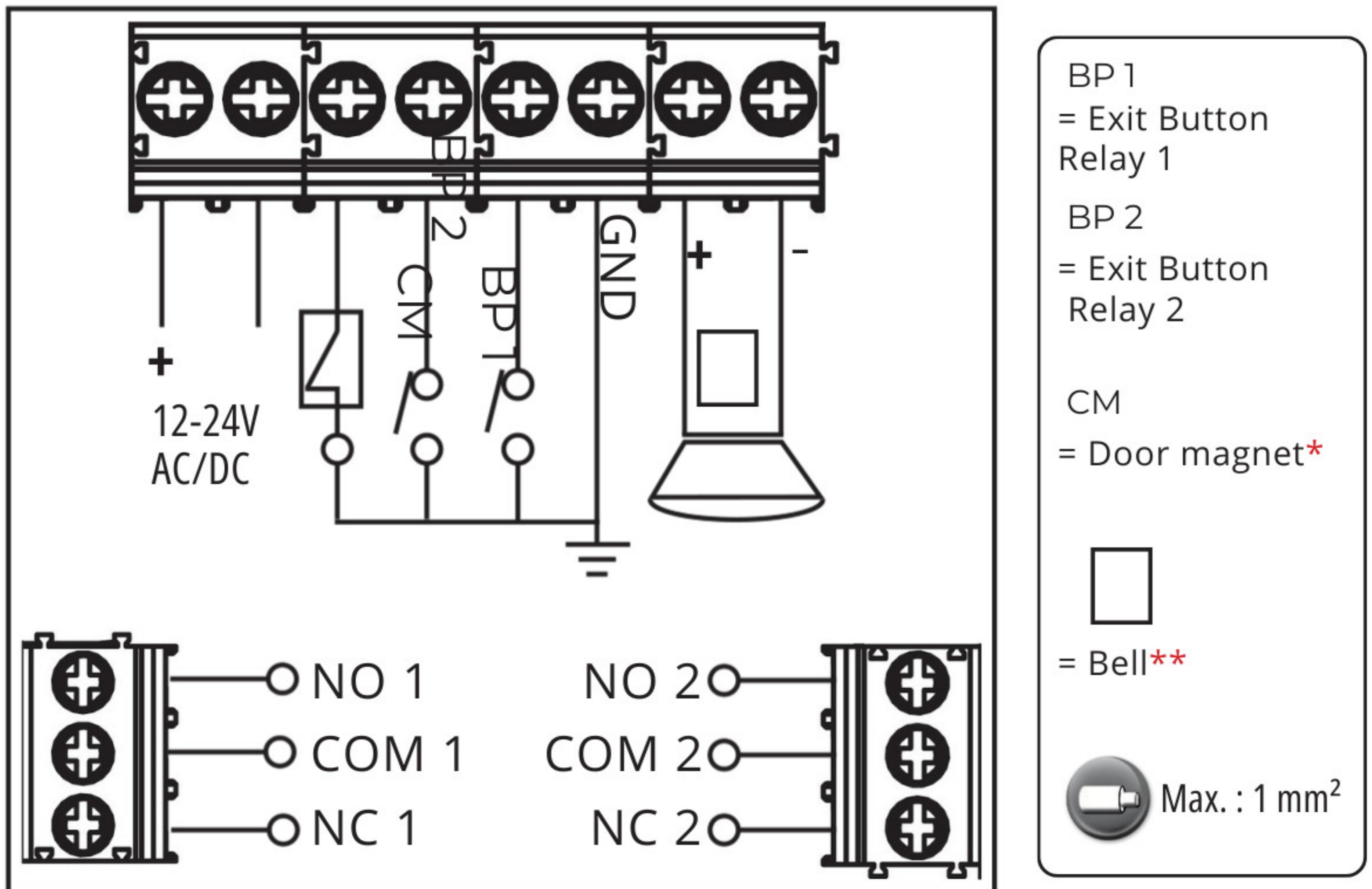
WARNING: Make sure to observe correct polarity and input voltage: 12/24V AC/DC as specified!

Read carefully this user guide before activating and using. Use this equipment only for an adapted application. The manufacturer cannot be held responsible for possible damage caused when usual security requirements are not fulfilled. Mounting, maintenance and repair must be carried out by a skilled and authorized staff. The commissioning is easy, but a correct handling and an appropriate maintenance are mandatory to keep the device working perfectly.

CONNECTION



 Anti-tamper photocell. To activate the function, please refer to page 20/20 «Enable / Disable the tamper function»

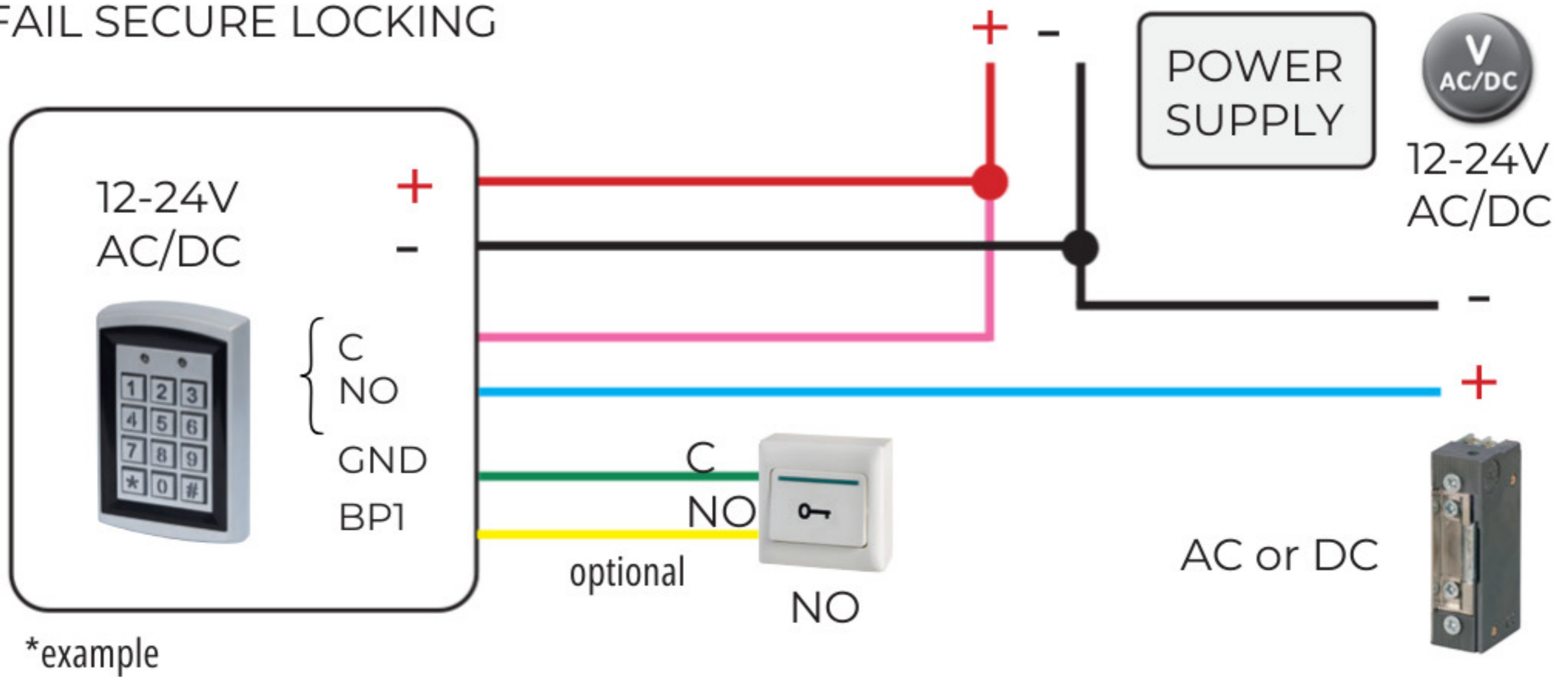


*Door magnet = Detection of door status. When someone opens the door and comes in, the door is closed. The system will automatically detect the door status and lock the door, even though there is still a delay period.

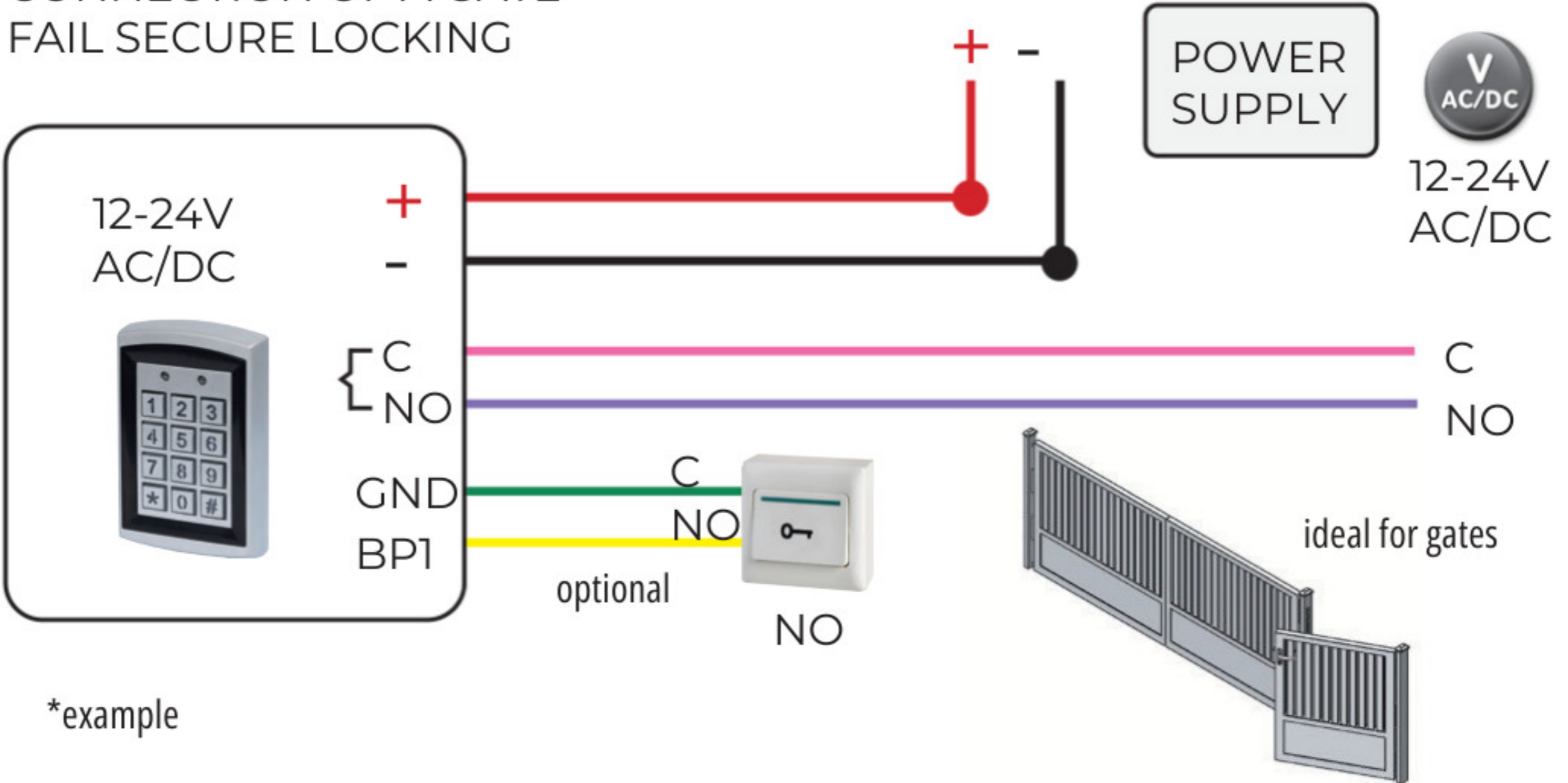
**Bell: To activate the bell, press the * key on the keypad

EXAMPLES FOR TYPICAL WIRING CONFIGURATIONS

CONNECTION OF AN ELECTRIC STRIKE*
FAIL SECURE LOCKING



CONNECTION OF A GATE*
FAIL SECURE LOCKING



CONNECTION OF AN EM LOCK*
FAIL SAFE LOCKING

*example

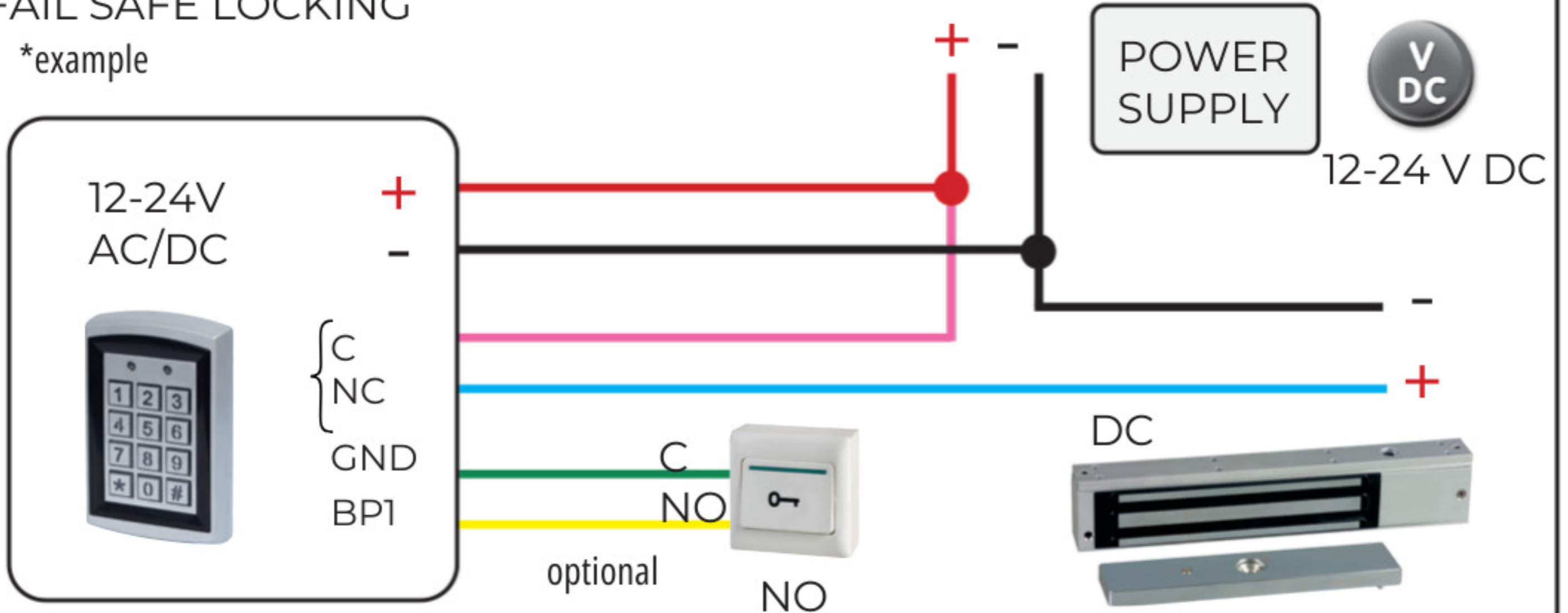


Table of Contents

Relay 1 settings

1. Programming a user (CARD ONLY).....	15
2. Programming a user (CARD or CODE).....	15
3. Programming a user (CARD + CODE).....	15
4. Time delay of relay 1.....	16
5. Delete a user from relay 1.....	16
6. Add cards in batches.....	16

Relay 2 settings

7. Programming a user (CARD or CODE).....	17
8. Time delay of relay 2.....	17
9. Delete a user from relay 2.....	17

Admin settings

10. Changing the master code.....	18
11. Creating a master card.....	18
12. Changing a master card.....	18
13. Delete all users.....	18
14. Reset factory settings.....	18
15. Restore the default master code ("1234" "1234").....	18

Setting parameters

16. Activation of the buzzer.....	19
17. Deactivation of the buzzer.....	19
18. Activation of keypad backlight.....	19
19. Deactivation of keypad backlight.....	19
20. OPTIONAL: How to change the number of codes digits.....	20
21. Activation of the tamper function.....	20
22. Deactivation of the tamper function.....	20

RELAY 1 SETTINGS

P = process to be followed // E = example
Default master code "1234" "1234"

The codes or users cards from relay 1 and 2 must be different from each other

1 Programming a user (CARD ONLY)					
ATTENTION: In this case no user code is available!					
	Step 1	Step 2	Step 3	Step 4	Step 5
P	Code twice or Master card	* 000	Enter the position (from 001 to 999)	Swipe the card once	# #
Example					
E	"1234" "1234"	* 000	001 (for user n°1)	Swipe the card once	# #
	"1234" "1234"	* 000	002 (for user n°2)	Swipe the card once	# #

2 Programming a user (CARD or CODE)					
ATTENTION: Please note that the master code doesn't unlock the door!					
	Step 1	Step 2	Step 3	Step 4	Step 5
P	Code twice or Master card	* 001	Enter the position (from 001 to 999)	Swipe the card once or Enter a code once	# #
Example					
E	"1234" "1234"	* 001	001 (for user n°1)	Swipe the card or Enter your code	# #
	"1234" "1234"	* 001	002 (for user n°2)	Swipe the card ou Enter your code	# #

3 Programming a user (CARD + CODE)					
ATTENTION: In this case the relay 2 is in idle state (inactive)					
	Step 1	Step 2	Step 3	Step 4	Step 5
P	Code twice or Master card	* 002	Enter the position (from 001 to 999)	Swipe the card once and Enter a code once	# #
Example					
E	"1234" "1234"	* 002	001 (for user n°1)	Swipe the card and Enter your code	# #
	"1234" "1234"	* 002	002 (for user n°2)	Swipe the card and Enter your code	# #

RELAY 1 SETTINGS

P = process to be followed // E = example
Default master code "1234" "1234"

4 Time delay of relay 1

	Step 1	Step 2	Step 3	Step 4
P	Code twice or Master card	* 1	Enter the value (from 01 to 99 sec.) or Enter the value 00 (for bistable function)	# #
Example				
E	"1234" "1234"	* 1	Enter 05 (time delay at 5 sec.) or Enter 00 (for bistable function)	# #

5 Delete a user from relay 1

	Step 1	Step 2	Step 3	Step 4
P	Code twice or Master card	Enter the position (from 001 to 999)	Enter * *	# #
Example				
E	"1234" "1234"	001 (for user n°1)	Enter * *	# #
E	"1234" "1234"	002 (for user n°2)	Enter * *	# #

6 Add cards in batches

This function allows to register cards in batches with automatic adding of location slots

	Step 1	Step 2	Step 3	Step 4	Step 5	Step 6
P	Code twice or Master card	* 901	Enter the first position (from 001 to 999)	Enter the second position (from 001 to 999)	Swipe the cards one after the other, 1x	# #
Example <i>Registration of 10 cards from the position 001</i>						
E	"1234" "1234"	* 901	001	010	Swipe the 10 cards one after the other, 1x	# #

RELAY 2 SETTINGS

P = process to be followed // E = example
Default master code "1234" "1234"

The codes or users cards from relay 1 and 2 must be different from each other

7 Programming a user (CARD or CODE)					
	Step 1	Step 2	Step 3	Step 4	Step 5
P	Code twice or Master card	* 4	Enter the position (from 00 to 09)	Swipe the card once or Enter a code once	# #
E	Example				
	"1234" "1234"	* 4	00 (for user n°1)	Swipe the card or Enter your code	# #
	"1234" "1234"	* 4	01 (for user n°2)	Swipe the card or Enter your code	# #

8 Time delay of relay 2				
	Step 1	Step 2	Step 3	Step 4
P	Code twice or Master card	* 5	Enter the value (from 01 to 99 sec.) or Enter the value 00 (for bistable function)	# #
E	Example			
	"1234" "1234"	* 5	Enter 05 (time delay at 5sec.) or Enter 00 (for bistable function)	# #

9 Delete a user from relay 2					
	Step 1	Step 2	Step 3	Step 4	Step 5
P	Code twice or Master card	* 4	Enter the position (from 00 to 09)	Enter * *	# #
E	Example				
	"1234" "1234"	* 4	00 (for user n°1)	Enter * *	# #

10 **Change the master code**
ATTENTION: Please note that the master code doesn't unlock the door!
It is recommended to modify the master code for security reasons

P	Step 1	Step 2	Step 3	Step 4
	Code twice or Master card	* 3	New code twice	# #
E	Example			
	"1234" "1234"	* 3	Enter your code twice	# #

11 **Create a master card**
The master card allows to open the setup session

P	Step 1	Step 2	Step 3	Step 4
	Code twice or Master card	* 7	Swipe the card once	# #
E	Example			
	"1234" "1234"	* 7	Swipe the card once	# #

12 **Change a master card**

P	Step 1	Step 2	Step 3	Step 4	Step 5
	Code twice or Master card	* 7	* *	Swipe the card once	# #
E	Example				
	"1234" "1234"	* 7	* *	Swipe the card once	# #

13 **Delete all users**
All user codes and cards will be removed

P	Step 1	Step 2	Step 3	Step 4
	Code twice or Master card	* 8	88	# #
E	Example			
	"1234" "1234"	* 8	88	# #

14 **Return to factory settings**
This operation removes all user codes + cards + master card and restores factory settings: default code will be "1234" "1234"

P	Step 1	Step 2	Step 3	Step 4
	Code twice or Master card	* 8	99	# #
E	Example			
	"1234" "1234"	* 8	99	# #

15 **Restore the default master code ("1234" "1234")**
(in case of lost or forgotten master code)

P	Switch off the power supply from the keypad. Press # key Keep it pressed for 3 seconds while powering the device again
---	---

16 Enable the buzzer

P	Step 1	Step 2	Step 3	Step 4
	Code twice or Master card	* 2	Enter 03	# #
E	Example			
	"1234" "1234"	* 2	03	# #

17 Disable the buzzer
 If the buzzer is deactivated, the left orange LED replaces the buzzer's sound

P	Step 1	Step 2	Step 3	Step 4
	Code twice or Master card	* 2	Enter 04	# #
E	Example			
	"1234" "1234"	* 2	04	# #

18 Activating the key backlights
 If backlight is activated, the keys on the keypad remain permanently backlit.

P	Step 1	Step 2	Step 3	Step 4
	Code twice or Master card	* 2	Enter 02	# #
E	Example			
	"1234" "1234"	* 2	02	# #

19 Disabling the key backlights
 If backlight is disabled, the keys on the keypad will turn off after 30 sec. of inactivity
 If backlight is disabled and the keypad is in standby, pressing a key before entering a code is not required

P	Step 1	Step 2	Step 3	Step 4
	Code twice or Master card	* 2	Enter 01	# #
E	Example			
	"1234" "1234"	* 2	01	# #

Remark: If three consecutive keyboard input errors occurred, the keyboard will be locked for 60 seconds. Any keyboard operation is invalid within 60 seconds.

20 **OPTIONAL: Changing the number of codes digits (factory setting = 4 digits)**
ATTENTION: This modification must be done before the first programming of a code, if required
Changing the number of digits will delete all registered codes!

P	Step 1	Step 2	Step 3	Step 4	Step 5
		Code twice or Master card	* 9	04	Enter the value (from 2 to 6)
E	Example				
	"1234""1234"	*9	04	2 (number of digits = 2)	# #
	"1234""1234"	*9	04	3 (number of digits = 3)	# #
	"1234""1234"	*9	04	4 (number of digits = 4)	# #
	"1234""1234"	*9	04	5 (number of digits = 5)	# #
	"1234""1234"	*9	04	6 (number of digits = 6)	# #



If the number of digits = 2, the master code is "12" "12"
 If the number of digits = 3, the master code is "123" "123"
 If the number of digits = 4, the master code is "1234" "1234"
 If the number of digits = 5, the master code is "12345" "12345"
 If the number of digits = 6, the master code is "123456" "123456"

21 **Enable the tamper function**
This function activates the buzzer in case of tear-off attempt

P	Step 1	Step 2	Step 3	Step 4
		Code twice or Master card	* 6	Enter 02
E	Example			
	"1234" "1234"	* 6	02	# #

22 **Disable the tamper function**

P	Step 1	Step 2	Step 3	Step 4
		Code twice or Master card	* 6	Enter 01
E	Example			
	"1234" "1234"	* 6	01	# #